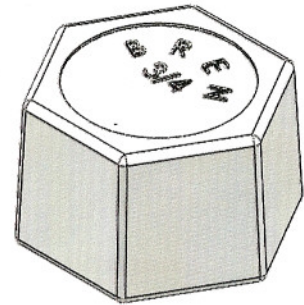
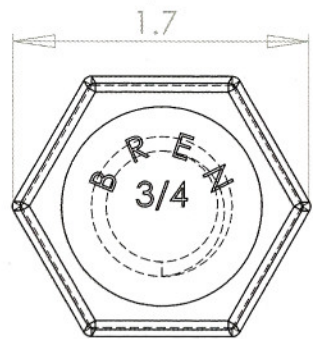
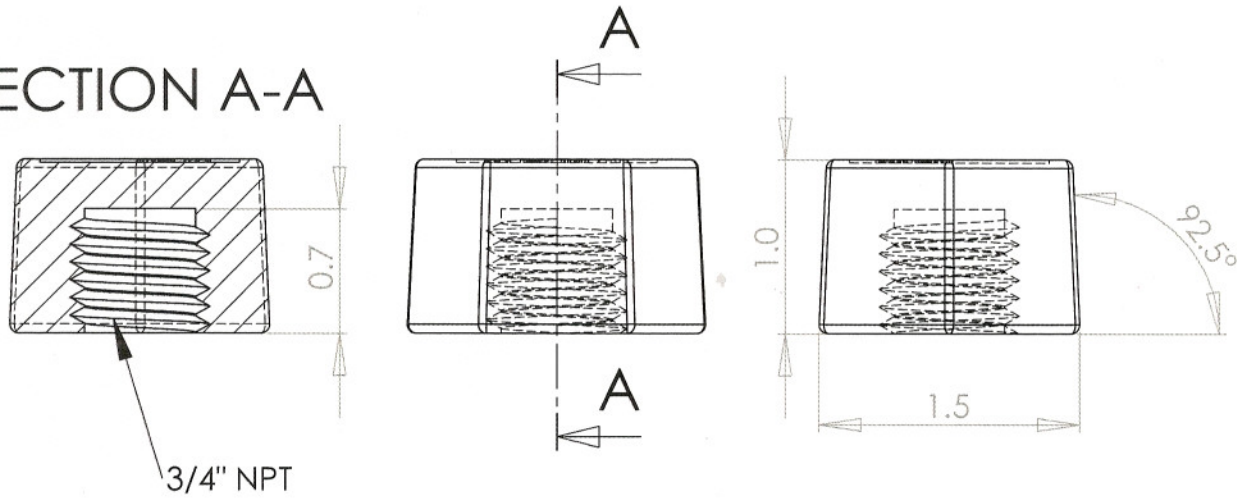


REV	DATE	COMMENTS
0	10/15/08	RELEASED FOR PRODUCTION
1		



SECTION A-A



PROPRIETARY AND CONFIDENTIAL
 THE INFORMATION CONTAINED IN THIS DRAWING IS THE SOLE PROPERTY OF BREN TECHNOLOGIES INC. ANY REPRODUCTION IN PART OR AS A WHOLE WITHOUT THE WRITTEN PERMISSION OF BREN TECHNOLOGIES INC IS PROHIBITED.

UNLESS OTHERWISE SPECIFIED:		NAME	DATE
DIMENSIONS ARE IN INCHES		DRAWN	B.DAVIDSON 10/15/08
TOLERANCES:		CHECKED	W. LANE 10/15/08
FRACTIONAL ±		ENG APPR.	W. LANE 10/15/08
ANGULAR: MACH ±		MFG APPR.	P. KAUR 10/15/08
BEND ±		Q.A.	B. LASHKAR 10/15/08
TWO PLACE DECIMAL ±		COMMENTS:	
THREE PLACE DECIMAL ±		99.9% PURE SPECIAL HIGH GRADE ZINC	
INTERPRET GEOMETRIC TOLERANCING PER:			
MATERIAL		ZINC	
FINISH		N/A	
DO NOT SCALE DRAWING			

Bren Technologies Inc.		
61 Parr Blvd., Unit #2 Bolton, Ontario L7E 4E3		
PH: (905) 951-8118 (866) 438-6685 Fax: (905) 951-8384		
TITLE:		
SAP CAP		
3/4" NPT THREADED		
SIZE	DWG. NO.	REV
A	ZZZZ	0
SCALE: 1:1	WEIGHT:	SHEET 1 OF 1