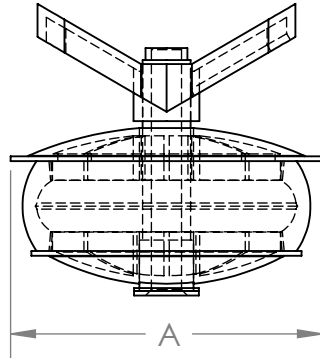
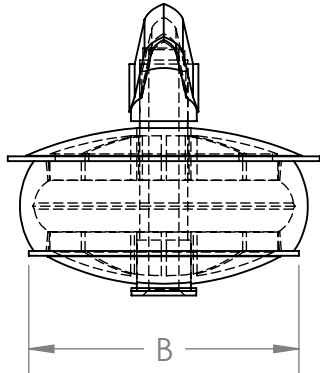
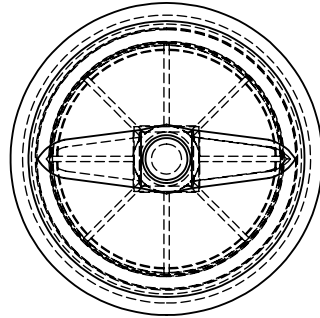
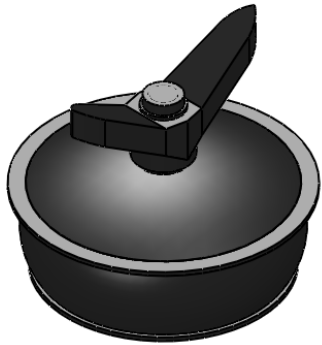


REV	DATE	COMMENTS
0	10/20/08	RELEASED FOR PRODUCTION
1		



PART NUMBER	DESCRIPTION	DIMENSION A	DIMENSION B
HTP-4	4" HAND-TITE TEST PLUG	x	x
HTP-5	5" HAND-TITE TEST PLUG	x	x
HTP-6	6" HAND-TITE TEST PLUG	x	x
HTP-8	8" HAND-TITE TEST PLUG	x	x
HTP-10	10" HAND-TITE TEST PLUG	x	x
HTP-12	12" HAND-TITE TEST PLUG	x	x
HTP-15	15" HAND-TITE TEST PLUG	x	x

PROPRIETARY AND CONFIDENTIAL
 THE INFORMATION CONTAINED IN THIS DRAWING IS THE SOLE PROPERTY OF BREN TECHNOLOGIES INC. ANY REPRODUCTION IN PART OR AS A WHOLE WITHOUT THE WRITTEN PERMISSION OF BREN TECHNOLOGIES INC IS PROHIBITED.



UNLESS OTHERWISE SPECIFIED:
 DIMENSIONS ARE IN INCHES
 TOLERANCES:
 FRACTIONAL ±
 ANGULAR: MACH ± BEND ±
 TWO PLACE DECIMAL ±
 THREE PLACE DECIMAL ±
 INTERPRET GEOMETRIC TOLERANCING PER:
 MATERIAL PLASTICS(HDPE, NYLON 6)
 FINISH N/A
 DO NOT SCALE DRAWING

	NAME	DATE
DRAWN	B.DAVIDSON	10/20/08
CHECKED	W. LANE	10/20/08
ENG APPR.	W. LANE	10/20/08
MFG APPR.	P. KAUR	10/20/08
Q.A.	B. LASHKAR	10/20/08

COMMENTS:
 GASKET IS FLEXIBLE PVC

Bren Technologies Inc.
 61 Parr Blvd., Unit #2 Bolton, Ontario L7E 4E3
 PH: (905) 951-8118 (866) 438-6685 Fax: (905) 951-8384

TITLE: **HAND-TITE TEST PLUG**

SIZE A	DWG. NO. HTP	REV 0
SCALE: 1:4	WEIGHT:	SHEET 1 OF 1